

Revolutionize your lifestyle with water

Change your cooking and hygiene!

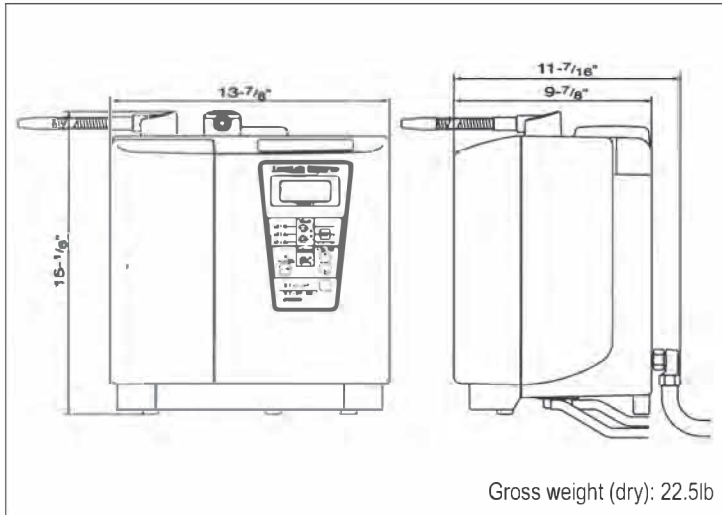


Kangen water power changes lives!

Leveluk Super 501

Kangen water • Continuous strong acidic water generator

■ Scale drawing



[Option Items]

- **Water Filter for replacement**
 - Optional type for Chlorine removal MW-7000HG
- **Glycerol-phosphate Acidic Calcium** (3gx12packs/box)
- **Electrolysis Enhancer** (6bottles of 400ml)
- **E-cleaner \$34, Cleaning Powder \$24**

Freight fee for additional

Standard Specifications Unit Price **US\$5,980.00**(excl.tax)

MODEL NAME · NUMBER		Leveluk Super 501 TYH-501		Water filter	Filtering medium		Granular Activated Charcoal					
WATER SOURCE CONNECTION		Regular connection by hose with a nut attached. built-in magnetic valve for water supply			Filtration Ability	Initial achrolive Removable	95% or greater					
POWER SUPPLY		AC 120V 60Hz (diphyletic power unit)				Elements not Removable	Metallic ions and/or salinity present in original (tap)water					
POWER CONSUMPTION		Approximately 200W			Time to exchange the filter	It depends on the quality of the water						
SYSTEM		Continuous Ionized Electrolysis Water Generator System (diphyletic electrolysis vessel)							Applicable water Quality and pressure	Municipally supplied drinking water 0.05~0.5MPa		
ELECTROLYSIS PART	PRODUCTION RATE (liter(s)/minute)		Kangen Water 0.5 ~ 1.0 gal. Flexible right pipe Acidic Water 0.5 - 0.75 gal. Secondary Hose(White) Strong Acidic Water 0.4 gal. Flexible left pipe Strong Kangen Water 0.3 gal. Hose(White)						Electrolysis enhancer liquid		Adding method by salt water pump	
	Changing generated water		Kangen Water/3 levels (approx. pH8.5~pH9.5) Purified Water (Neutral) Acidic water (pH5.5~6.5) Strong Acidic Water (pH2.4~2.7)/Strong Kangen Water (pH 11.3~12.0)						Enhancer refilling		Prior warning by blinking at the time of salt water shortage Forced stop during a time of salt water shortage	
	Strong Acidic Water	Electrolysis Capability Under Continuous Use	Approx. 80minutes. (when salt water tank is filled to capacity). it can be used continuously, if refilled regularly									
		Time that can be set with timer	Per minute unit set Maximum 30 minutes									
	Cell Cleaning Method		Auto cleaning · Manual cleaning function									
	Electrode Material		Platinum-plated Titanium									
			Standard accessories		<ul style="list-style-type: none"> • Flexible pipe 2 • Water supply hose with strainer • Elbow with nut • Changeover faucet (Standard diverter for 501) • pH test solution set • Book pH Test Paper • Spoon • Calcium glycerophosphate • 2 water outlet stands • Ø12 suction plates • Measuring cup • 212plastic canteen • Instructions manual • Warranty • Filter replacement label • Water outlet identification seal 							
		Protector		Current limiter·Voltage stabilizer (switching power supply) Fuse 125V 5A Thermal protector (Preset temperature 80°C) Short circuit breaker (Sensitivity 15mA) Hot water protector								

SAFETY PRECAUTIONS For your own safety, be sure to observe the following precautions

⚠ WARNING	⚠ CAUTION
<ul style="list-style-type: none"> ● Please read the Operation Manual carefully, and then use according to instructions. ● Pay attention to the following points before consuming ionized alkaline water (KANGEN WATER) produced by the water production unit. <ul style="list-style-type: none"> (1) Do not take medicine with KANGEN WATER. (2) Those who have anoxia problem should not take KANGEN WATER. (3) Those who are feeling some abnormality after drinking KANGEN WATER, or those who don't show any improvement in symptoms even after regular use of it, should consult a doctor or a pharmacist before continuing consumption of KANGEN WATER. ● Those who are under a doctor's care, or those who are feeling some abnormality in the body, should consult a doctor or before drinking KANGEN WATER. ● Those who have sensitive skin or allergies should consult a doctor or a pharmacist before use of Acidic Water as an astringent ● Those who are feeling discomfort or irritation with Acidic Water for skin care, please discontinue use and consult a doctor. 	<ul style="list-style-type: none"> ● Those who drink it for the first time. <p>We would recommend you to start drinking it at a lower pH level of pH8.5 with a daily consumption of 1-2 glasses a day continuing for about 2 weeks to get used to Kangen water. Then, gradually increase the pH level.</p> ● In case some rash or the like has appeared after drinking it. <p>A person who has allergic reaction to some food may experience rash or similar symptoms. Discontinue drinking it, and consult a doctor.</p> ● All the goods described in this catalogue should be used only in USA. ● Use municipally treated water with drinking safe quality. (Tap water or the like)

- The standard prices of the merchandise described in this catalog do not include sales tax, transportation charges, fees for repairs or installation and replacement charges.
- The specifications or appearance of the product are subject to manufacturer's improvements without prior notice.
- Please be aware of that actual product may differ slightly in color, etc from that seen in print.
- For more information about the product, please inquire with the sales dealer in your district or area.
- Every product has an accompanying warranty card, which shall be filled in and issued by the Representative Sales Firm. Please check the contents and keep it in safe place for later use during the period of warranty.

Dealer

Enagic USA, Inc.

4115 Spencer Street, Torrance, California 90503 USA
 TEL: 310-542-7700 FAX : 310-542-1700
 URL: <http://www.enagic.co.jp/english/>
 URL: <http://www.enagic.com>

● For inquiries regarding installation, maintenance and operation of product:
Customer Support Center

Toll-Free 1-866-261-9500

Pre-recorded message on Saturdays, Sundays and Holidays
 Printed Nov. 2018

Water supply from the first exclusive electrolyzer Chamber specifically designed original flex pipe. Creates ample Kangen water and strong acidic water.

Features of LevelLuk Super 501

Excellent for large families

Excellent functions and one touch selection

Produces 5 types of water by using a one-touch control.

Also available for stores and houses having low water pressure.

Can be used on the upper floors of apartments and in houses and stores having fluctuations in water pressure.

Excellent durability

Effortless maintenance with an automatic cleaning function and loaded with an excellent durable electrolysis chamber.

Enriched with cleaning solution

Continuously generates strong Kangen water for cleaning and strong acidic water having high antibacterial effects.*

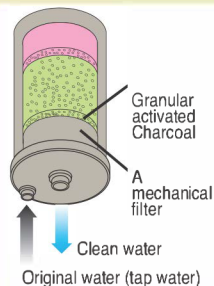
* Electrolysis enhancer (salt water) is necessary, while generating strong acidic water along with strong Kangen water. The filter can generate approx. 120 liters (Approx.80 minutes) at a time in the built-in tank. You can use the filter for a long time if you refill the water regularly. Moreover, it also has an automatic cleaning function. Further, you can also store the water in the outside tank.



The three-layered, high-powered water-cleaning filter creating delicious water

Enagic's triple layer filter, with a spherical active carbon that meets NSF guide lines, is composed of a mechanical filter, and calcium bisul-fite, which is approved as a food additive (in some countries there may be exceptions). It produces healthy water and removes chlorine, rust, muddiness, and does not eliminate important mineral.

Filter change will be notified by the LCD. voice or alarm sound (Jr. II does not) Filter change will be notified by the LCD. voice or alarm sound (Jr. II does not) have sound notification.



Large size liquid crystal display notified by the letters and lamp.

Generated water display function

Large size LCD display on the operation panel displays the generating mode (in letters).

Safety indicator function

Indicates with a message on the operation panel LCD display or by beeping when hot water over 45°C enters the machine by mistake or when there is insufficient electrolysis enhancer (salt water) when producing Strong Acidic water or during cleaning.



3 optional choices for Kangen Water, from pH 8.5 ~ pH 9.5

Select according to your personal needs.

Strong acidic water can be produced continuously for getting rid of germs.

With the addition of adding the electrolysis enhancer (1.2 L. of H₂O+250g of salt), you can produce approximately 32 gallons (approx. 80 minutes) of strong acidic water with a pH lower than 2.7 and it come out of a flexible pipe. Strong kangen water comes out of secondary water hose while producing strong acidic water.

Auto cleaning function

It will self cleaned automatically while producing water and the calcium deposited on the electrodes will be removed.

Loaded with 2 powerful exclusive electrolysis Chamber

The 2 electrolysis chambers with 5 electrodes (for Kangen water) and 7 electrodes (for strong acidic water) made of platinum plated titanium will give powerful electrolysis ability to produce water with ORP (Oxidation Reduction Potential) in the range of +1130mv ~ -800mv or lower. (Differs depending on the water production mode and the quality of your local water.)

Tasty, Healthy Kangen water and Acidic water, which is good for cooking, is produced continuously in ample quantity.

Through the electrolysis of tap water, 5 types of electrolysis water is produced (Strong Kangen, Kangen, Clean, Acidic and Strong Acidic) that are effective for health, beauty and cleaning, and making clean water through the process of purification by removing chlorine odor.

[Continuous Electrolysis Water Generator Leveluk Super 501] can produce strong acidic water anytime in large quantity which is effective for getting rid of germs.

You can also produce Kangen water in great quantity which is best for drinking and cooking.

Please use these waters according to your individual needs.



It produces tasty water and can be used for cooking too!

For your taste buds (the cells that detect the taste of water), the smaller the groups of water molecules (Clusters) are, the better the water tastes.

The reason Kangen water tastes so good is that the large clusters in tap water are broken down (into smaller ones) through the electrolysis process.

It makes everyday meals one step better.

Produces strong acidic water, which is effective for getting rid of germs.

Produces ample water (Strong acidic water) continuously for cleaning kitchen items such as cutting boards, kitchen knives, Kitchen towels, and effective for cleaning and removing germs.

Use it everyday for getting rid of germs or washing hands.

Produces the water (Strong Kangen Water) that removes grease stains from the oven or stove top.

One of the salient features of "Leveluk Super 501" is that it retains a hygienic environment, which is one of the attractive factors.



It can produce 5 types

Strong Acidic Water (Lower than pH2.7) *not suitable for drinking

Changes the water to disinfecting water and helps to retain hygiene.

Strong Acidic water was developed for killing germs, can be used for washing vegetables, meat etc.

It can be used for washing and the sterilization of ingredients, table ware and cooking equipments, too. Since this water is used for sanitary precautions, it automatically solves the environment issues and no other method is safer than this. Use it daily to sanitize water in your house as well as in shops.

Sanitizing

Effective in preventing the propagation of bacteria

You can clean Kitchen knives • Cutting board • Kitchen towels with the anti-bacteria water

...It will effectively eliminate the germs propagated in the kitchen. If you wash it in strong Kangen water before using strong acidic water, it will kill the bacteria more effectively. However, use a dry cloth to wipe the metal as it can easily gets rusted due to strong acid.

Clean your hand with germ-free water

...Strong acidic water keeps your hands free from germs. It has various uses of its cleaning and disinfecting power such as to disinfect germs from toothbrushes and toothpaste, gargle water and also for skin care. It can remove tea incrustation, too.

- Home Sanitation • Beauty Salon
- Barber Shop. Food Processing Facilities • Kindergarten
- Nursery School. Agriculture (PVC green house)
- Nursing Home • Pet Shops • Hospitals • Dental Clinic
- Institution for the aged etc



Strong Kangen Water (pH over 11) *not suitable for drinking

Effective cleansing water.

Strong Kangen water that comes out simultaneously while producing Strong acidic water has a high cleansing effect like soap

Detergency

Has a strong ability to dissolve and clean materials.

Removing stains due to protein or fatty substances in the Kitchen

...It is very useful for removing tough grease stains from ventilation fans and range hoods and also for removing oily film on cutting boards • kitchen knives • plates.

Absorption

Acts to soften various food items and save time

Washing vegetables • meat • fish

...Used for washing meat • vegetables • fish and is very effective if washed with acidic water after that.

Solvency

Has a strong ability to dissolve and remove material

Environment friendly cleaning

...It is used effectively for removing the stains due to protein and fatty substance from floors and lateral grooves. It is also useful for removing yellow toilet stains.

For removing stains

...For removing stains of coffee, soy sauce, cooking oil, etc on clothes or linen.

Conductivity

Heat is transmitted faster and within less time

Reduces the quantity of detergent used while washing

... 1/3~1/4 rinsing water is OK. It is economical.

For removing harshness of vegetables

...Quickly removes the harshness of a Bamboo shoot, Bracken, Royal fern, etc.



Strong electrolysis water is used for these purposes.

Kitchen knife	Cutting board	Hands and fingers	Kitchen towels•scrub	Floors•lateral grooves
<p>Wash with strong Kangen water using a scrub sponge wash knife blade up to the handle.</p>	<p>Remove the dirt on a cutting board with a kitchen cloth or scraper.</p>	<p>Remove stains due to protein substance or fatty substances quickly with strong Kangen water. * In case of stubborn stains, use it along with soap.</p>	<p>Remove the stuck protein substance or grease by washing thoroughly with strong Kangen water stored in buckets.</p>	<p>Sprinkle strong Kangen water on the floors or in the lateral grooves.</p>
<p>Apply strong acidic water evenly on the entire knife.</p>	<p>Wash with a scrub in flowing strong Kangen water.</p>	<p>Run strong acidic water and wash thoroughly between the fingers, wrist and tips of the nails.</p>	<p>Squeeze the towels tightly. Drain off the water from the scrub.</p>	<p>Remove the stains due to proteins or fatty substances on the floor's surface with a deck brush.</p>
<p>Wipe out the moisture on the metal part with a cloth.</p>	<p>Cover the cutting board entirely for 30 minutes with a paper towel or clean kitchen cloth with strong acidic water applied on it.</p>	<p>Remove moisture. (Wipe with dry towel)</p>	<p>Soak the towels, scrub in strong acidic water and then rinse lightly.</p>	<p>Sprinkle the strong acidic water evenly on the floor.</p>
<p>Apply strong acidic water prior to using the knife</p>	<p>Drain and store in a dry place.</p>		<p>Store after drying.</p>	<p>Wipe off the strong acidic water on the metal part.</p>

s of water continuously.

KANGEN WATER (pH8.0~10.0)

*suitable for drinking

KANGEN WATER MAKES EVERYDAY MEALS EVEN BETTER

Using water of pH9.0 ~ 9.5 is recommended.

ABSORPTION

acts to soften various food items.

USE FOR BLANCHING VEGETABLES

...Use it to remove rawness of onions, bamboo shoots, burdock, or the like.

IN SOUPS AND STEWS

...It draws out the natural flavor of ingredients so they cook up tender and juicy. Therefore, seasonings such as salt and soy sauce are needed in smaller amounts, perfect for people trying to reduce their salt intake.

WITH RICE

...Use it to wash and cook rice, which comes out flavorful and fluffy.

WITH COFFEE, TEA, OR GREEN TEA

...for which taste and aroma are everything, you will be surprised at the improved color, taste, and aroma. And you can use less coffee, tea, or green tea, and still achieve a full rich taste due to its extractive ability.

WITH OTHER STRONGLY ACIDIC FOODS

...Drink Kangen Water together with strongly acidic foods such as meat, egg yolks, and the like; the alkaline water will help your body balance the acidic effects of those foods.

Others: For hangover, cold sweats after drinking too much, making stocks and making beans.



ACIDIC WATER (pH6.0~4.0)

*not suitable for drinking

USING ACIDIC WATER FOR HEALTHY SKIN

...is known to be beneficial in firming and toning the skin, and it is produced simultaneously with Kangen Water, exiting from the secondary hose.

ASTRINGENCY

Has the ability to cause contraction of body tissues (i.e., skin)

AS AN ASTRINGENT

...It is effective to help tone your skin after a bath or shower, or after shaving, when your pores are open. You can also add Acidic Water to your bathwater for similar benefits to your skin.

IN BOILING PASTA AND IN BATTERS FOR FRIED FOODS

...All types of noodles and pasta come out with a nice sheen and firm texture. It will also give you extra crispy fried foods.

CLEANING

Has cleaning properties.

Others:

[Cleaning] • Glass, jewels, glasses, knives, and polishing metals.



CLEAN WATER (pH7.0)

*suitable for drinking

WHEN TAKING MEDICATION OR IN BABY FORMULA

...You can enjoy clean water after removing chlorine odors, rust, or any cloudiness. Because many medications are designed with the body's normal absorption rates in mind, the effects may vary with Kangen Water, so use Clean Water when taking medication or when you prepare your baby's formula.

Note: The value "pH 7.0" of this mode may differ depending on the properties of your local water.



SOME FACTS YOU SHOULD KNOW ABOUT STRONG ACIDIC AND STRONG KANGEN WATER.

WHAT IS STRONG ACIDIC WATER!?

Of course, it is not a chemical or medicine. The effect Strong Acidic Water comes from the physical property of possessing oxidation-reduction potential. [which is made through electrolysis of tap-water, after filtering and adding a small amount of sodium chloride (NaCl=salt)], and generally has a pH of less than 2.7 and ORP greater than +1,100mV.

- In the field of cooking and food preparation, it can be used as a fast-acting substitute for alcohol or hypochlorous acidic sodium.
- In the field of medicine, it is used in hospitals to prevent the spread of disease, to wash medical instruments, general cleaning, and for washing of hands, among a wide variety of other uses.
- In the field of agriculture, it is receiving attention as a means to reduce the amount of agricultural chemicals.

WHAT IS STRONG KANGEN WATER!?

It is water that has a pH of more than 11, and Oxidation-Reduction Potential (ORP)* of between — 700mV — 850mV. Strong Kangen Water includes minute amounts of sodium hydroxide (soda), giving it similar cleaning properties as soapy water. In order to increase cleaning and effects, clean thoroughly with Strong Kangen Water before disinfecting with Strong Acidic Water.

※ Oxidation-Reduction Potential (ORP)

...is expressed in millivolts (mV) as the reference value indicating the ratio/proportion of oxidizing or deoxidizing properties existent in a given material. In the case of a positive value, it means the object could oxidize its counterpart while it itself is deoxidized: the opposite occurs in the case of a negative value.